

SUPER QUIET

DAVEY

ProMaster®

Premium VSD400

INNOVATIVE POOL PUMP

APPLICATION

Ideal for pool filtration, in-floor pool cleaning systems, connection to external pool controllers, heat pumps and gas heaters. Suitable for pools from 10,000 to 140,000 litres.



HIGH EFFICIENCY, SUPER QUIET, WATER COOLED DESIGN

- > **Programmable boost cycling for every hour of operation**
 - For running the pump at full speed (Boost) for a pre-determined time of operation
 - Improves surface skimming providing for a cleaner pool
 - Ideal for in-floor, pop up, cleaning systems
- > **Constant flow/speed compensation**
 - Helps to overcome friction losses experienced as debris builds up in your filter
 - Saves money on energy running costs
- > **Weatherproof RJ45 communication port**
 - For speed adjustment via connection to an external pool controller, gas heater or heat pump
- > **Backwash speed cycling technology**
 - For effective media cleaning and reducing waste water when backwashing



Depend on Davey

DAVEY

ProMaster

Premium VSD400 Pool Pump



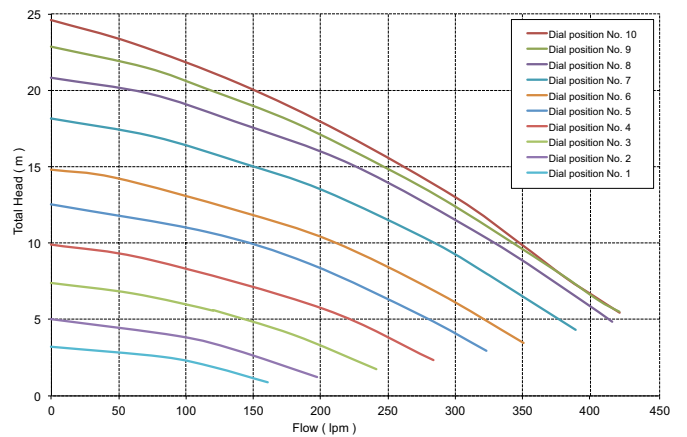
- Large 4.5 litre lint pot** provides for longer intervals between cleaning
- Weatherproof RJ45 communication port** for communication & connecting to external pool control systems or pool heaters
- Fully variable frequency drive** with user friendly selectable speed dial
- Multi-coloured LED indicator light** for operating conditions and warnings
- Loss of prime protection** to protect the pump when there is no water inside the pump
- Drain plug** enables quick draining of the casing for easy removal and maintenance
- High performance water cooled motor** for super quiet, efficient use all year round

ELECTRICAL DATA

Voltage (V)	240
Supply frequency (Hz)	50
Motor input power (W/hp)	120W/0.16hp @ Dial 1 660W/0.85hp @ Dial 5 1,630W/2.2hp @ Dial 10 Variable speed @ Backwash
Motor speed (rpm)	1,050 to 3,100
Backwash (rpm)	Variable speed
Enclosure class (IP)	45
Insulation class	F
Power lead length	3m
Approval No.	SGS-150025-EA

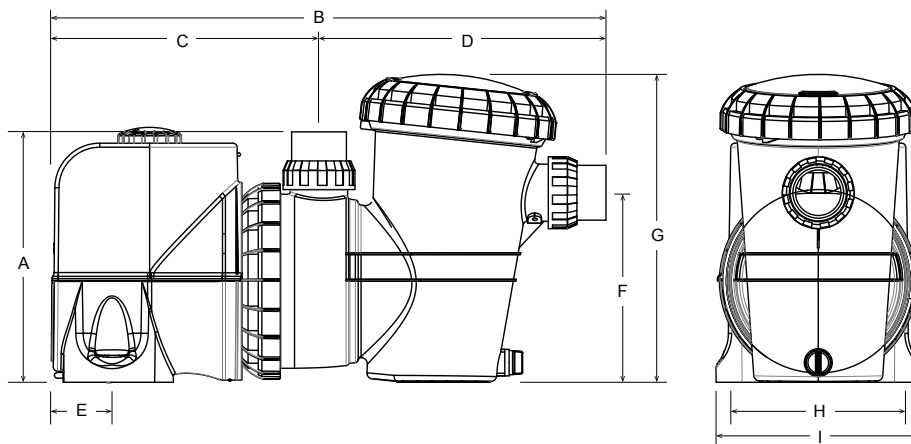
OPERATING LIMITS	Max. water temperature	Max. ambient temperature
	40°C	50°C

HYDRAULIC PERFORMANCE



DIMENSIONS (mm)

Model	A	B	C	D	E	F	G	H	I	Mounting Holes Diameter	Inlet/Outlet PVC	Net Weight (kg)
PM400PV	305	670	320	350	65	230	380	200	250	10	50	14.5



davey.com.au | daveynz.co.nz | daveyeurope.eu | daveyusa.com

This literature is not a complete guide to product usage. All images provided in this document are for illustration purposes only. Further information is available from your Davey Dealer, Davey Support Centre and from the relevant product Installation and Operating Instructions. Must be read in conjunction with the relevant product Installation and Operating Instructions and all applicable statutory requirements. Product specifications may change without notice. © Davey is a registered trademark of Davey Water Products Pty Ltd. © Davey Water Products Pty Ltd 2016.

DAVEY

Depend on Davey