

DAVEY CrystalClear®

PREMIUM AND INDUSTRY LEADING

APPLICATION

Ideal for inground and above ground pools, Suitable for salt, mineral salt and fresh water pools. Models suitable for pools up to 95,000 litres.



PREMIUM FIBREGLASS MEDIA FILTERS

- > Specially designed "T-Lateral" System to maximise water flow for efficient filtration and backwashing
- > Virtually maintenance free and easy to use
- > Constructed from strong corrosion and UV resistant bobbin wound reinforced fibreglass, providing long and reliable working life
- > Computer designed providing optimal tank strength and filtration performance
- > Large diameter tank for maximum filtration area
- > Up to 370 kpa operating pressure
- > Built-in waste port sight glass for high visibility of water during backwashing
- > Stainless steel liquid filled pressure gauge makes it easy to see when backwashing is required
- > Suitable for sand, Zelbrite and glass media



Depend on Davey

DAVEY

CrystalClear

Fibreglass Media Filters



Quality 6-way multiport valve, integrated sight glass and liquid filled pressure gauge for optimum filter control

Robust A.B.S. barrel unions for easy installation and maintenance (flexi swivel-joint unions on inlet & outlet of the DCC2140 and DCC2540 models only)

Cylindrical shape provides the most efficient filtration operation and up to 370 kPa operating pressure

Long life UV stabilised, filament wound fibreglass tank

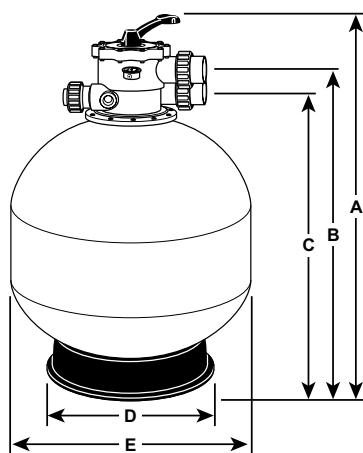
Large media area means better filtration with high efficiency

Specially designed T-Laterals and hub assembly to optimise water flow for efficient filtration and backwashing

25" Diameter Filter with either 40 or 50 Inlet and Outlet available

PERFORMANCE DATA & MEDIA REQUIRED	Model	Size (inches)	Sand Required (kg/bags)	Zelbrite Required (kg/bags)	Glass Required		Maximum Flow Rate (lpm)	Minimum Backwash Flow Rate (lpm)	6 Hour Turnover (litres)	Filtration Area (m ²)	Max. Water Temp (°C)/ Operating Pressure (kPa)
					Fine/ Medium (kg/bags)	Medium/ Coarse (kg/bags)					
	DCC2140	21"	85/5	64/5	45/3	30/2	185	123	66,600	0.22	40/370
DCC2540	25"	145/8	109/8	75/5	30/2	260	173	93,600	0.32	40/370	
DCC2550	25"	145/8	109/8	75/5	30/2	285	173	102,600	0.32	40/370	
DCC2850	28"	215/11	161/11	105/7	45/3	336	224	120,960	0.38	40/370	

DIMENSIONS (mm)



Model	A	B	C	D	E	Inlet PVC	Outlet PVC	Waste PVC
DCC2140	835	730	670	486	550		40	
DCC2540	935	830	770	486	635		40	
DCC2550	1070	861	781	486	635		50	
DCC2850	1070	923	843	486	700		50	

MODEL NUMBER IDENTIFICATION

DCC	28	50
DCC = Davey CrystalClear Fibreglass Tank	28 = 28 inch tank diameter	50 = 50mm multiport valve

OPERATING LIMITS

Maximum water temperature	40°C
Maximum operating pressure	370kPa

WARRANTY

Component	Coverage
Tank	10 years
Multiport Valve	3 years

Please refer to the EcoPure Media Filter datasheet for larger filters and pool size requirements. If used in a commercial application warranty may be void. Contact Davey for further information.

davey.com.au | daveynz.co.nz | daveyeurope.eu | daveyusa.com

This literature is not a complete guide to product usage. All images provided in this document are for illustration purposes only. Further information is available from your Davey Dealer, Davey Support Centre and from the relevant product Installation and Operating Instructions. Must be read in conjunction with the relevant product Installation and Operating Instructions and all applicable statutory requirements. Product specifications may change without notice. © Davey is a registered trademark of Davey Water Products Pty Ltd. © Davey Water Products Pty Ltd 2016.

DAVEY

Depend on Davey